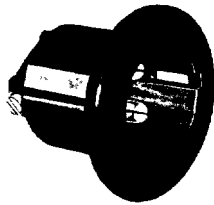
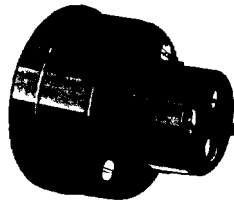
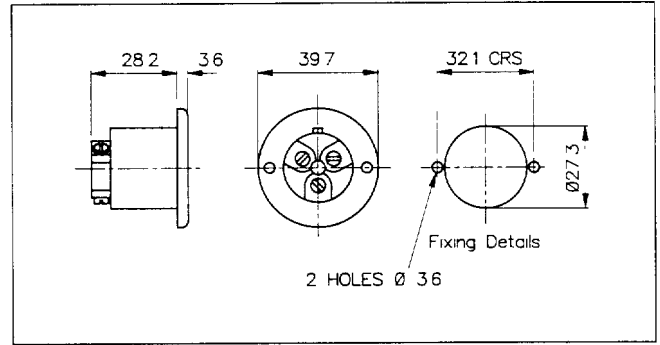


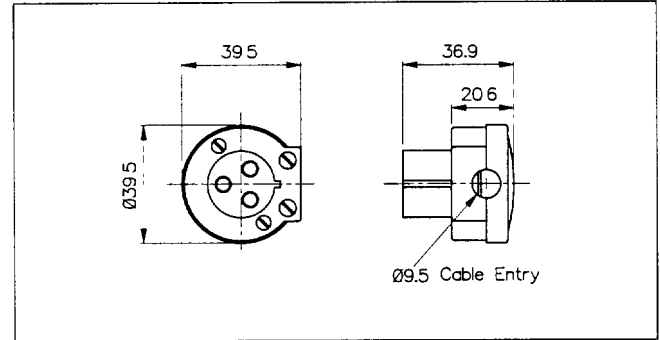
S R O M G I N G S



SA1861



SA2111



3/4 - 006
018

ORIG



Data	List No	SA1861	SA2111
Terminations:		Screw terminals	Screw terminals
Max. Rating:		5A. 250V a.c	5A 250V a c
Contact Resistance:		<10m Ω	<10m Ω
Insulation Resistance:		>10 ⁴ M Ω	>10 ⁴ M Ω
A.C. Breakdown:		Pole-Pole 4.6kV Poles-Panel 9 2kV	Pole-Pole 4.6kV. Poles - Accessible Parts 2kV.
Operating Temp. Range:		-20°C to +70°C	-20°C to +70°C.
Mouldings:		Phenolic.	Phenolic.
Contacts:		Sockets. Brass, Nickel Plated.	Sockets: Brass, Nickel Plated
Accessories:		PNo 8878 (see page 93)	
Mates With:		SA2111	SA1861